

Name: _____

GEARS

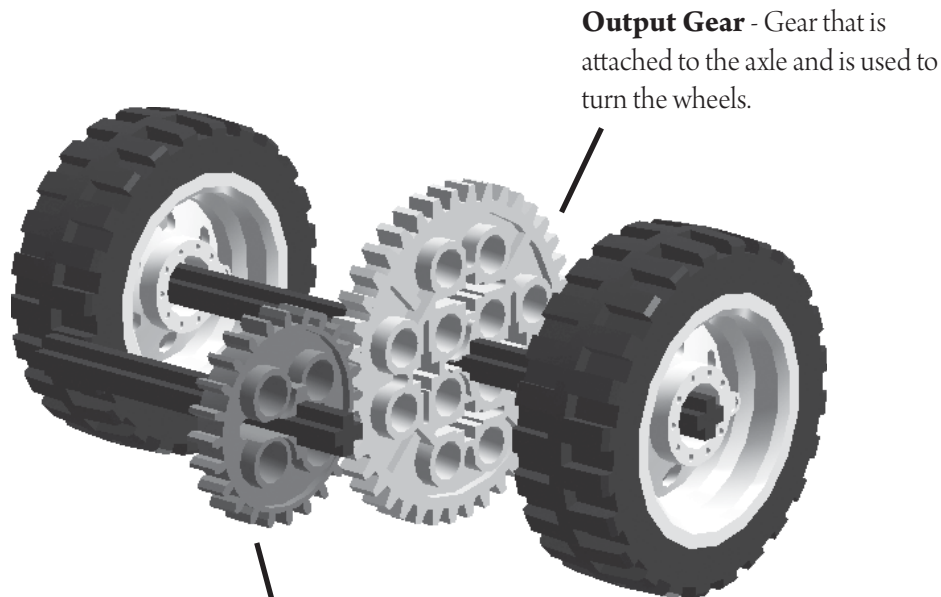
Gears help machines do work. They can make something go faster or slower.

Spur Gear - This is the most common type. It is also known as a straight cut gear as its teeth are "cut straight" across. They can be used with a lot of different sized gears.



Gear Functions

Each gear has a job to do. Here is how gears are used and how they work together.



Driven Gear - Gear that is attached to the motor or another power source such as a rubber band.

When 2 or more gears are used together, they form something called a gear transmission. Depending on where the gears are placed, they can make your car go faster or slower. The simplest design is to use 2 gears in your project. Some machines have multiple gears to make it work. However, the more gears you use, the more complex it will be to build your creation.

CHALLENGE: Can you build a rubber band powered car with at least 2 gears and make it go 10 feet? Try different gear combinations and see which ones work the best!