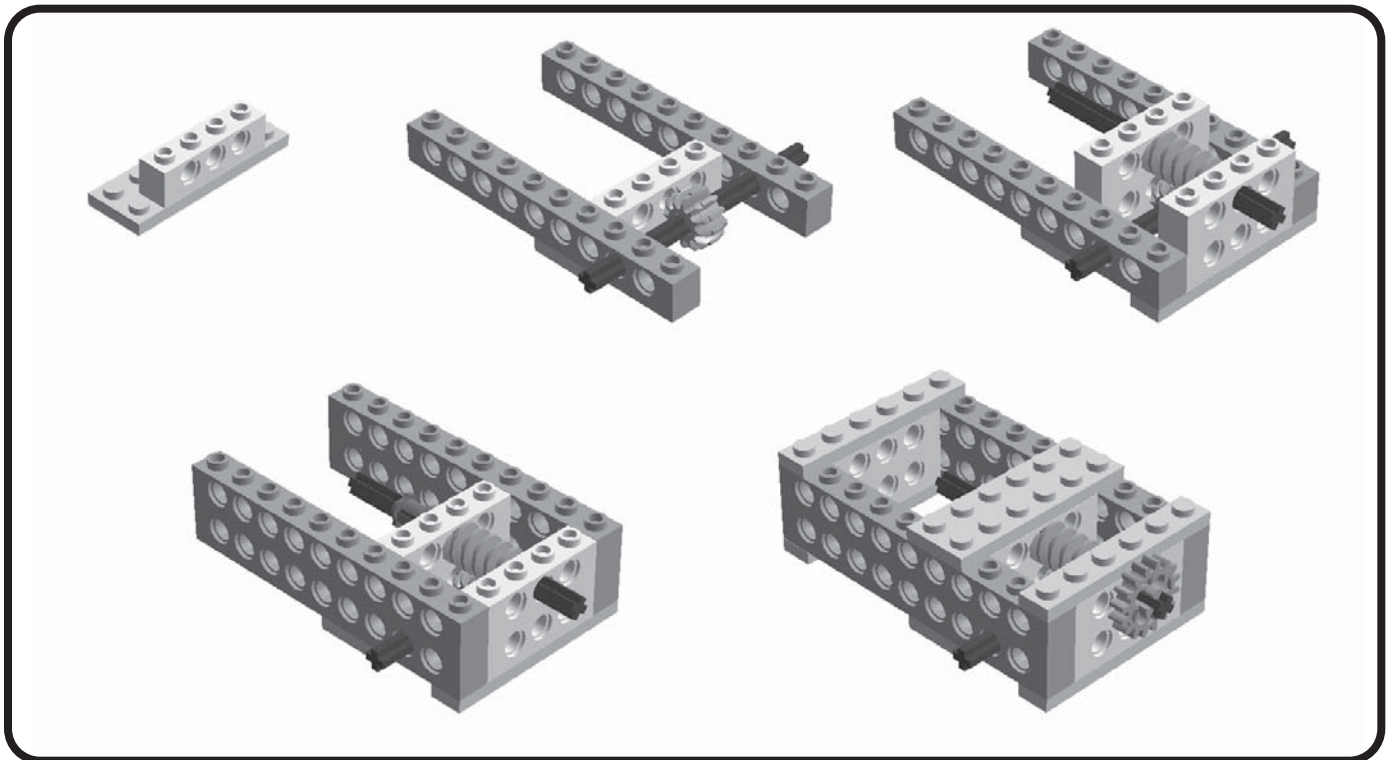


Name: \_\_\_\_\_

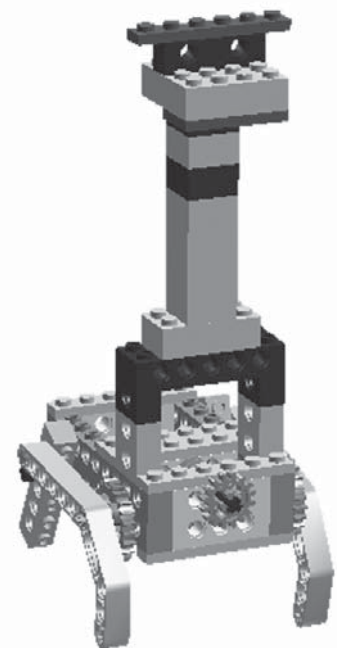
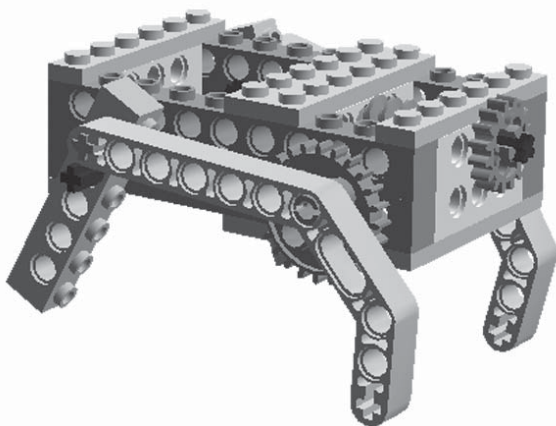
## Day 2: Building a Gearbox

**What is a gearbox?** It is simply a bunch of gears working together in a box-shaped enclosure. The gearbox will also act as the main part of the skeleton in our robotic animals, so make sure the gearbox is rigid and not flimsy.

Designing your own gearbox will take time and practice. To get you started, here are instructions on how to build a common design for an animal gearbox. Make sure to test out the gearbox by turning the gear in front.



Here is an example of a gearbox with legs. This can be turned into many different animals. What kind of animal can you turn this skeleton into?



What animal do you think this is?